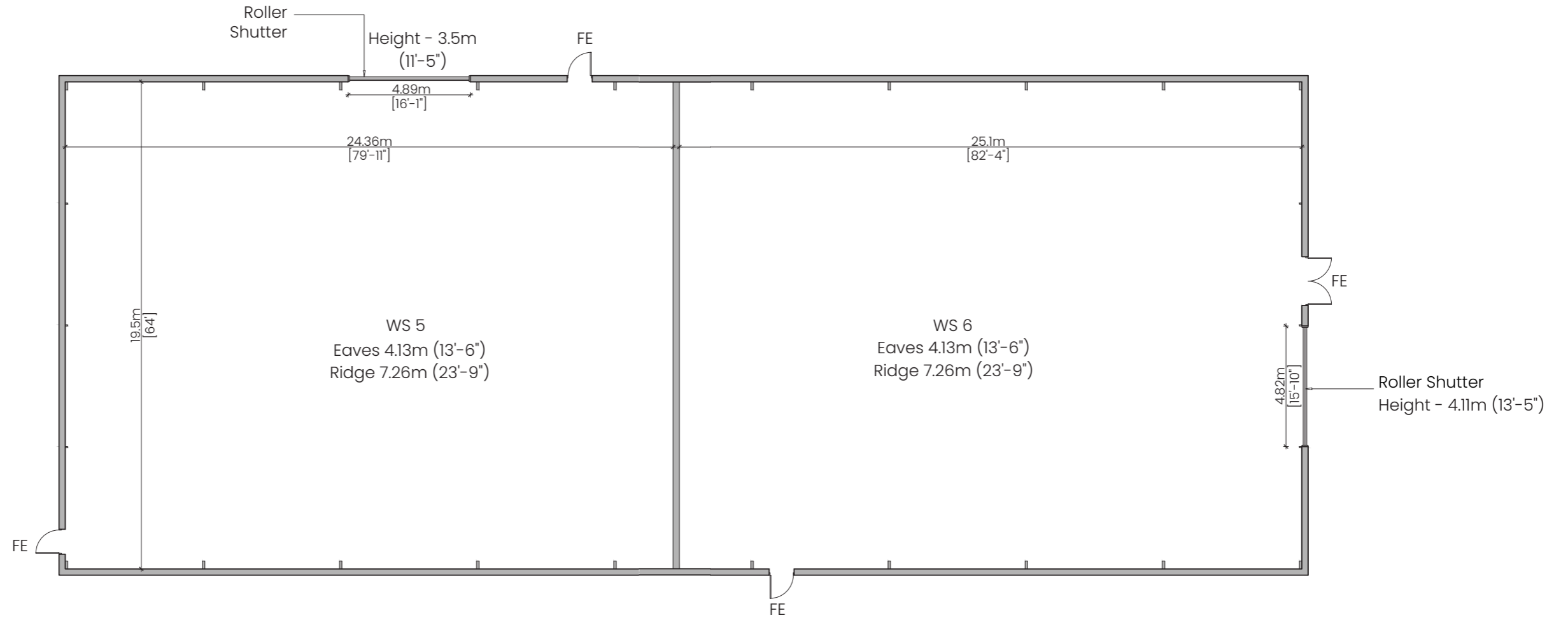




Workshops  
Workshop 5 & 6



Workshop 5 & 6

Gross Internal Area:

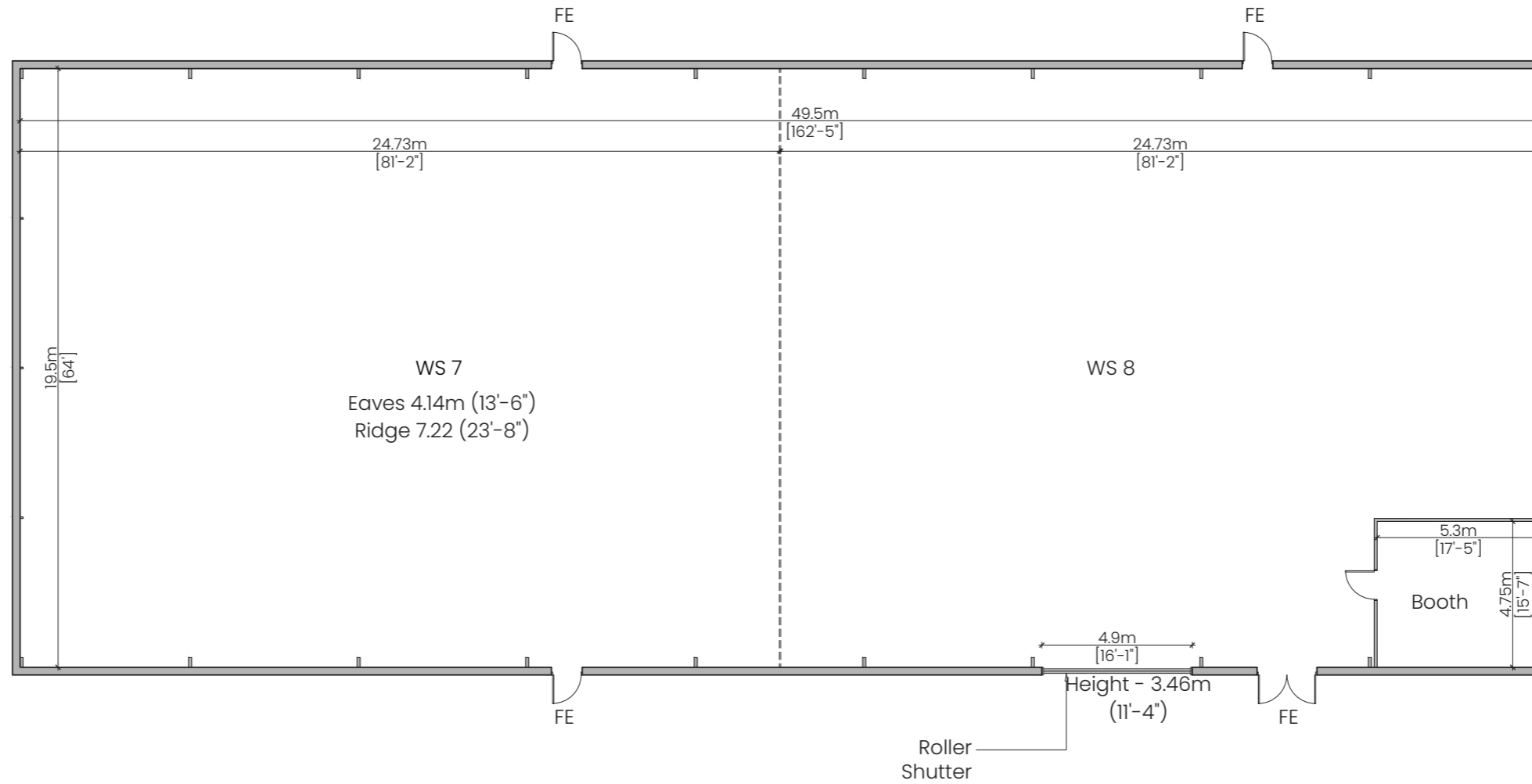
WS 5: 475 sq m / 5,113 sq ft

WS 4: 490 sq m / 5,274 sq ft

Total: 965 sq m / 10,387 sq ft



Workshops  
Workshop 7 & 8



Workshop 7 & 8

Gross Internal Area:

WS 7: 482 sq m / 5,188 sq ft

WS 8: 482 sq m / 5,188 sq ft

Total: 964 sq m / 10,376 sq ft



## Facilities Overview

WORKSHOPS 5-8		
FACILITY	sq m	sq ft
WORKSHOP 5	475	5,113
WORKSHOP 6	490	5,274
WORKSHOP 7	482	5,188
WORKSHOP 8	482	5,188
<b>Total</b>	<b>1,929</b>	<b>20,763</b>

SPECIFICATION
Floor to eaves working height 3.76m/12.33ft
Workshop 5: Roller door 4.89m/16.08ft wide 3.5m/11.42ft high
Workshop 6: Roller door 4.82m/15.83ft wide 4.11m/13.42ft high
Workshop 7 & 8: Roller door 4.9m/16.08ft wide 3.46m/11.33ft high
Power Capacity 3 phase power
Heating